

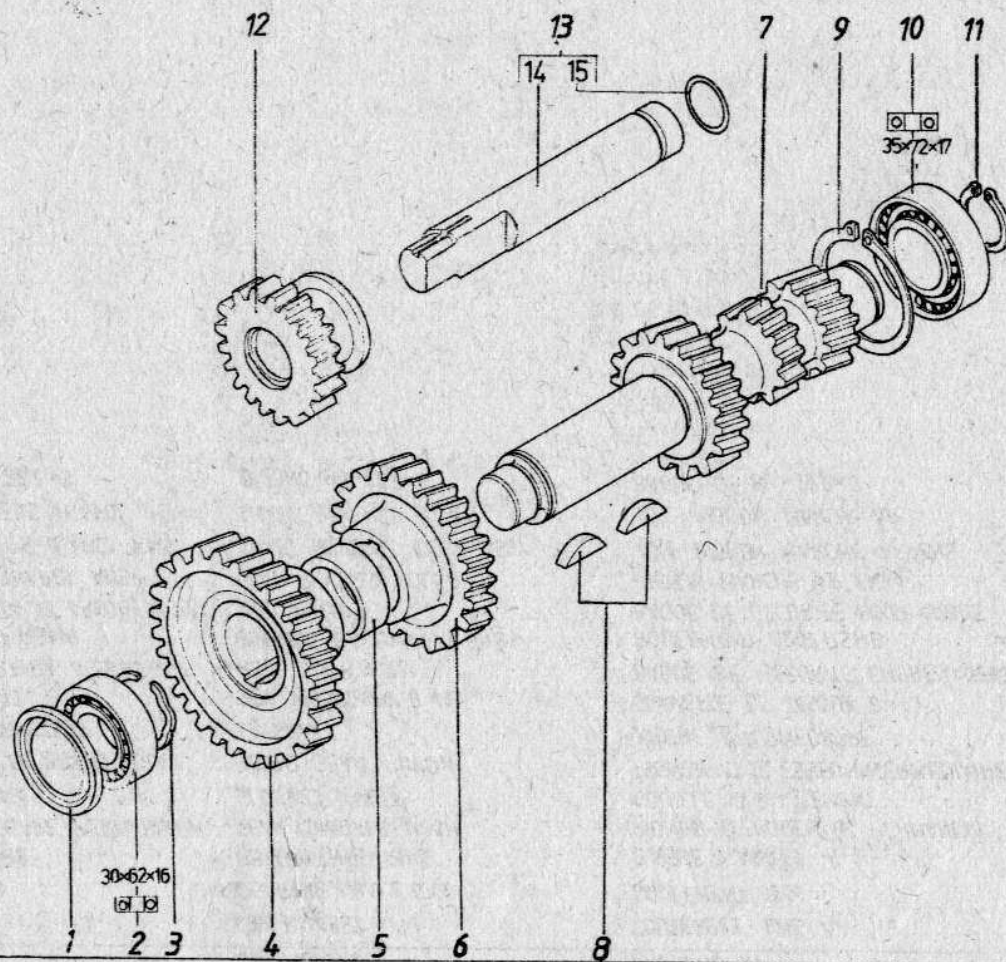
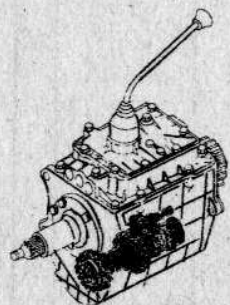
CUTIA CU ANGRENAJE

GEAR CASE

BOÎTE AUX ENGRENAGES

17-70

| 17-70 | | CUTIA CU ANGRENAJE | | GEAR CASE | BOITE AUX ENGRENAGES | | Buc. | Preț | Observatii |
|---------------|---------------------------|--------------------|--------------------------------|----------------------------|-------------------------------|-----------|------------|-------|------------|
| Poz. Fig. No. | Reper Part no. No de ref. | Cod Code Code | DENUMIRE | DESCRIPTION | DESIGNATION | Q.ty Q.te | Price Prix | Notes | |
| 1 | 4117011580 | 4117011580 | SINCRONIZATOR VIT III-IV ANS. | SYNCHROMESH MECANISM ASSY. | SYNCHRONISEUR VIT III-IV ENS. | 1 | | | |
| 2 | 7703066223 | 7703066223 | INEL OPRIRE | RING RETAINING | BAGUE D'ARRÊT | 1 | | | |
| 3 | 0428885200 | 0428885200 | INEL BLOCARE SINCRONIZATOR 3-4 | RING RETAINING | BAGUE D'ARRÊT SYNCHRONISEUR | 2 | | | |
| 4 | 4117011560 | 4117011560 | PINION CONDUS VIT. III | GEAR 3-RD. MANISHAFT | PIGNON CONDUIT VIT. III | 1 | | | |
| 5 | 4117012640 | 4117012640 | INEL DE SIGURANȚĂ | RING SNAP | BAGUE DE SÉCURITÉ | 1 | | | |
| 6 | 4117010560 | 4117010560 | RONDELA DE UZURA CU PINTEN | WASHER | RONDELLE D'USURE À ÈPERON | 1 | | | |
| 7 | 4117010640 | 4117010640 | PINION CONDUS VIT. II ANS. | GEAR 2-ND. MANISHAFT | PIGNON CONDUIT VIT II ENS. | 1 | | | |
| 8 | 4117010161 | 4117010161 | SINCRONIZATOR VIT III ANS. | SYNCHROMESH MECANISM ASSY | SYNCHRONISEUR VIT I-II ENS. | 1 | | | |
| 9 | 4117010153 | 4117010153 | PINION CONDUS VIT. I | GEAR 1ST MANISHAFT | PIGNON CONDUIT VIT. I | 1 | | | |
| 10 | 1311701148 | 1311701148 | INEL DE ANTIFRICȚIUNE | RING ANTI-FRICTION | BAGUE ANTI-FRICTION | 2 | | | |
| 11 | 1311701158 | 1311701158 | MANȘON | SLEEVE | MANCHON | 1 | | | |
| 12 | 4117010374 | 4117010374 | ARBORE SECUNDAR | MANISHAFT ASSY | ARBRE SECONDAIRE | 1 | | | |
| 13 | 1340429820 | 1340429820 | AC 4*29, 8 II | NEEDLE BEARING | AIGUILLE 4*29, 8 II | 33 | | | |
| 14 | 4117010140 | 4117010140 | INEL OPRIRE RULMENT | RETAINER RING BALL BEARING | BAGUE D'ARRET ROULEMENT | 1 | | | |
| | 4117010141 | 4117010141 | INEL OPRIRE RULMENT | RETAINER RING BALL BEARING | BAGUE D'ARRET ROULEMENT | 1 | | | |
| | STAS5848/3-73 | 1262085009 | INEL ELASTIC 85 | FLEXIBLE RING 85 | BAGUE ELASTIQUE 85 | 1 | | | |
| 15 | 3209000045 | 3209000045 | RULMENT 3209 | BEARING BALL | ROULEMENT 3209 | 1 | | | |
| 16 | 0700202620 | 0700202620 | COLIVIE CU ACE | BEARING NEEDLE | CAGE AUX AIGUILLES | 1 | | | |
| 17 | 4117010680 | 4117010680 | ȘAIBĂ | WASHER | RONDELLE | 1 | | | |
| 18 | 4117010520 | 4117010520 | INEL DE SIGURANȚĂ | RING SNAP | BAGUE DE SÛRETÉ | 1 | | | |
| 19 | 4117012400 | 4117012400 | PINION CONDUCĂTOR TR. I | PINION DRIVING 1ST BAND | PIGNON CONDUCTEUR | 1 | | | |
| 20 | 4117010140 | 4117010140 | PIULIȚĂ M36x1,5 | NUT M36x1,5 | ECROU M36x1,5 | 1 | | | |



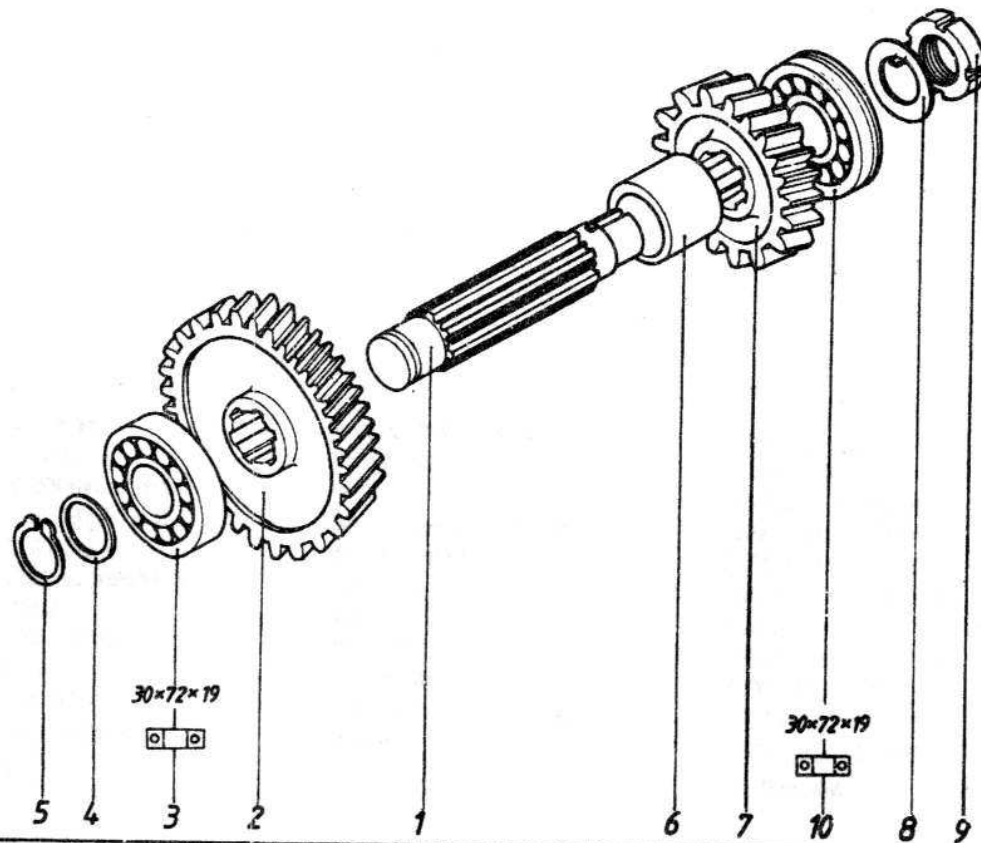
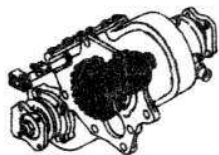
CUTIA CU ANGRENAJE

GEAR CASE

BOÎTE AUX ENGRENAGES

17-80

| 17-80 | | CUTIE CU ANGRENAJE | | GEAR CASE | BOÎTE AUX ENGRENAGES | Buc. | Preț | Observatii |
|-------|-------------|--------------------|-------------------------------|--------------------------|------------------------------------|------|-------|------------|
| Poz. | Reper | Cod | | | | Q-ty | Price | Notes |
| No. | No de ref. | Code | DENUMIRE | DESCRIPTION | DESIGNATION | Q-ty | Prix | Notes |
| 1 | 4117010051 | 4117010051 | CAPAC ANS | COVER ASSY | COUVERCLE ENS. | 1 | | |
| 2 | STAS3041-68 | 6206000000 | RULMENT 6206 | BEARING BALL 6206 | ROULEMENT 6206 | 1 | | |
| 3 | 4117010430 | 4117010430 | INEL DE OPRIRE | OBTURATING RING | BAGUE ARRÊT | 1 | | |
| 4 | 4117011620 | 4117011620 | PINION ANGRENARE PERMANENTA | GEAR CONSTANT MESH | PIGNON D'ENGRENAGE PERMANENT | 1 | | |
| 5 | 4117010030 | 4117010030 | BUCSA DISTANTA | SLEEVE SPACER | DOUILLE D'ECARTEMENT | 1 | | |
| 6 | 4117012450 | 4117012450 | PINION VIT III AX INTERMEDIAR | III RD GEAR PINION | PIGNON VIT III ESSEU INTERMÉDIAIRE | 1 | | |
| 7 | 4117012531 | 4117012531 | ARBORE INTERMEDIAR | LAYSHAFT | ARBRE INTERMÉDIAIRE | 1 | | |
| 8 | STAS1012-71 | 5308013001 | PANA DISC 8x13 | REY WOODRUFF 8x13 | CLAVETTE DE DISQUE 8x13 | 2 | | |
| 9 | 1030727651 | 1030727651 | INEL DE SIGURANTA ALEZAJ φ72 | RING SNAP φ72 | BAGUE DE SECURITÉ ENGRENAGEφ72 | 1 | | |
| 10 | 6000037158 | 6000037158 | RULMENT 6207 RSNB | BEARING BALL 6207 RSNB | ROULEMENT 6207 RSNB | 1 | | |
| 11 | 1040353221 | 1040353221 | INEL SIGURANTA PT ARBORE φ35 | RING SNAP | BAGUE DE SÉCURITÉ POUR ARBRE | 1 | | |
| 12 | 4117010060 | 4117010060 | PINION MERS INAPOI ANS. | GEAR REVERSE IDLER | PIGNON MARCHE AR ENS. | 1 | | |
| 13 | 4117012221 | 4117012221 | AX PINION MERS INAPOI ANS | SHAFT REVERSE IDLER ASSY | AXE PIGNON MARCHE AR ENS. | 1 | | |
| 14 | 4117010091 | 4117010091 | AX PINION MERS INAPOI | SHAFT REVERSE IDLER | AXE PIGNON MARCHE AR. | 1 | | |
| 15 | NUT-PA 39 | 39800222300 | INEL ,0' 80 - 22,2 x3 | ,0' RING 80-22,2x3 | BAGUE ,0' 80 - 22,2x3 | 1 | | |



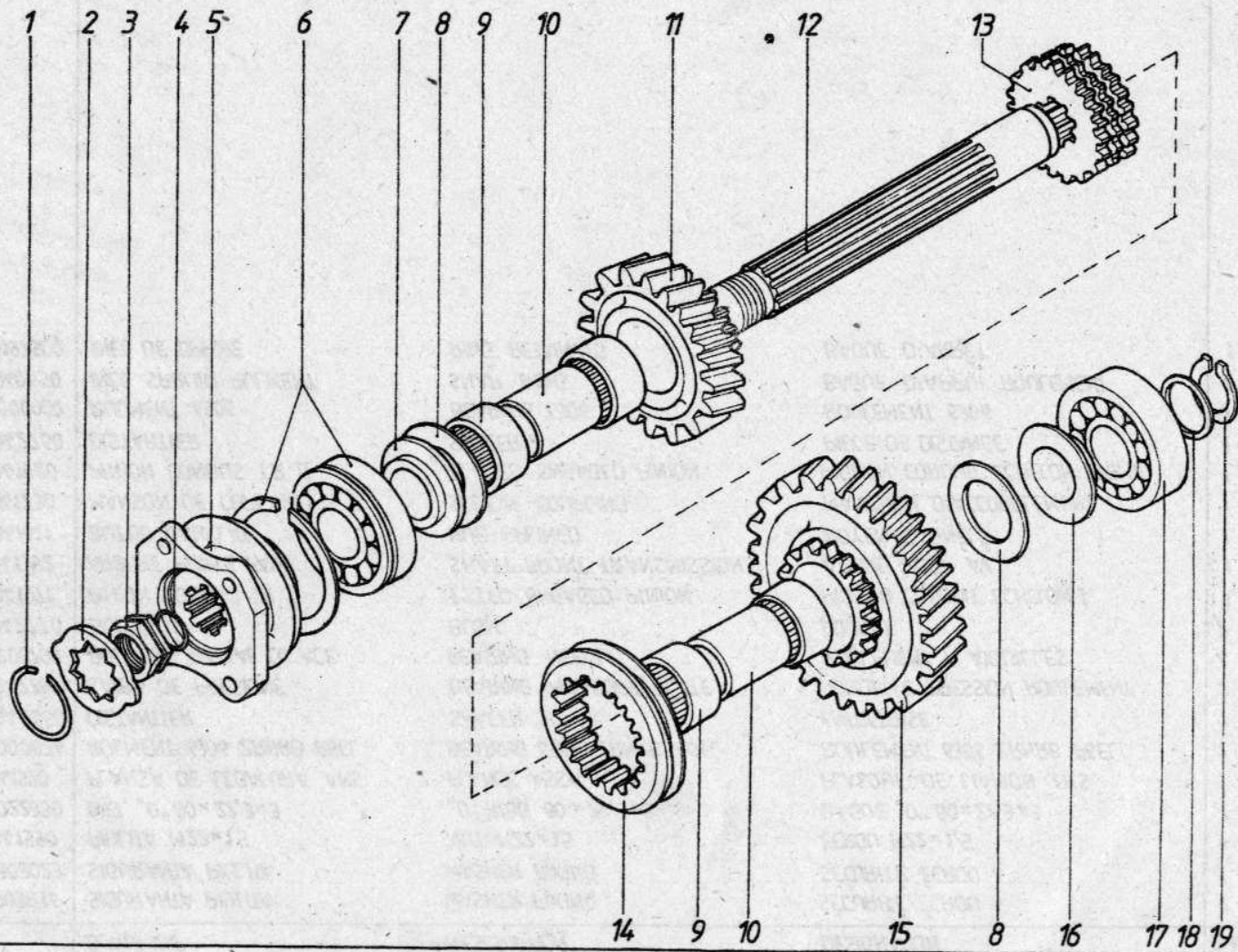
CUTIE TRANSMISIE

TRANSFER BOX

BOÎTE DE TRANSFERT

18-50

| 18-50 | | CUTIE TRANSMISIE | | TRANSFER BOX | BOÎTE DE TRANSFERT | Qty | Price | Observatii |
|--------------------|----------------------------------|---------------------|---------------------------|--------------------------|----------------------------|------|-------|------------|
| Poz Fig. No. | Reper Part no. No. de ref. | Cod Code Code | DENUMIRE | DESCRIPTION | DESIGNATION | Q-te | Prix | Notes |
| 1 | 4117041270 | 4117041270 | ARBORE INTERMEDIAR | LAYSHAFT | ARBRE INTERMÉDIAIRE | 1 | | |
| 2 | 4117041950 | 4117041950 | PINION INTERMEDIAR | GEAR LAYSHAFT HIGH SPEED | PIGNON INTERMÉDIAIRE | 1 | | |
| 3 | 6306000030 | 6306000030 | RULMENT 6306 | BEARING BALL 6306 | ROULEMENT 6306 | 1 | | |
| 4 | 4117040650 | 4117040650 | INEL SPRIJIN RULMENT | SNAP RING | BAGUE D'APPUI ROULEMENT | 1 | | |
| 5 | 0606197500 | 0606197500 | INEL DE OPRIRE | RING | BAGUE | 1 | | |
| | 1040302791 | 1040302791 | INEL ELASTIC PT ARBORE 30 | RING SNAP | BAGUE POUR ARBRE ø 30 | 1 | | |
| 6 | 4117041290 | 4117041290 | BUCSA DE DISTANTĂ | SLEEVE SPACER | DOUILLE D'ECARTEMENT | 1 | | |
| 7 | 4117041960 | 4117041960 | PINION INTERMEDIAR TR.II | GEAR LAYSHAFT LOW SPEED | PIGNON INTERMÉDIAIRE | 1 | | |
| 8 | 1053270045 | 1053270045 | SAIBA DE SIGURANTA Da 27 | WASHER LOCK Da 27 | RONDELLE DE SÉCURITÉ Da 27 | 1 | | |
| 9 | 4117041890 | 4117041890 | PIULITA M27x15 | NUT M27x15 | ECROU M27x15 | 1 | | |
| 10 | 6306029030 | 6306029030 | RULMENT 6306 NR | BEARING BALL 6306 NR | ROULEMENT 6306 NR | 1 | | |



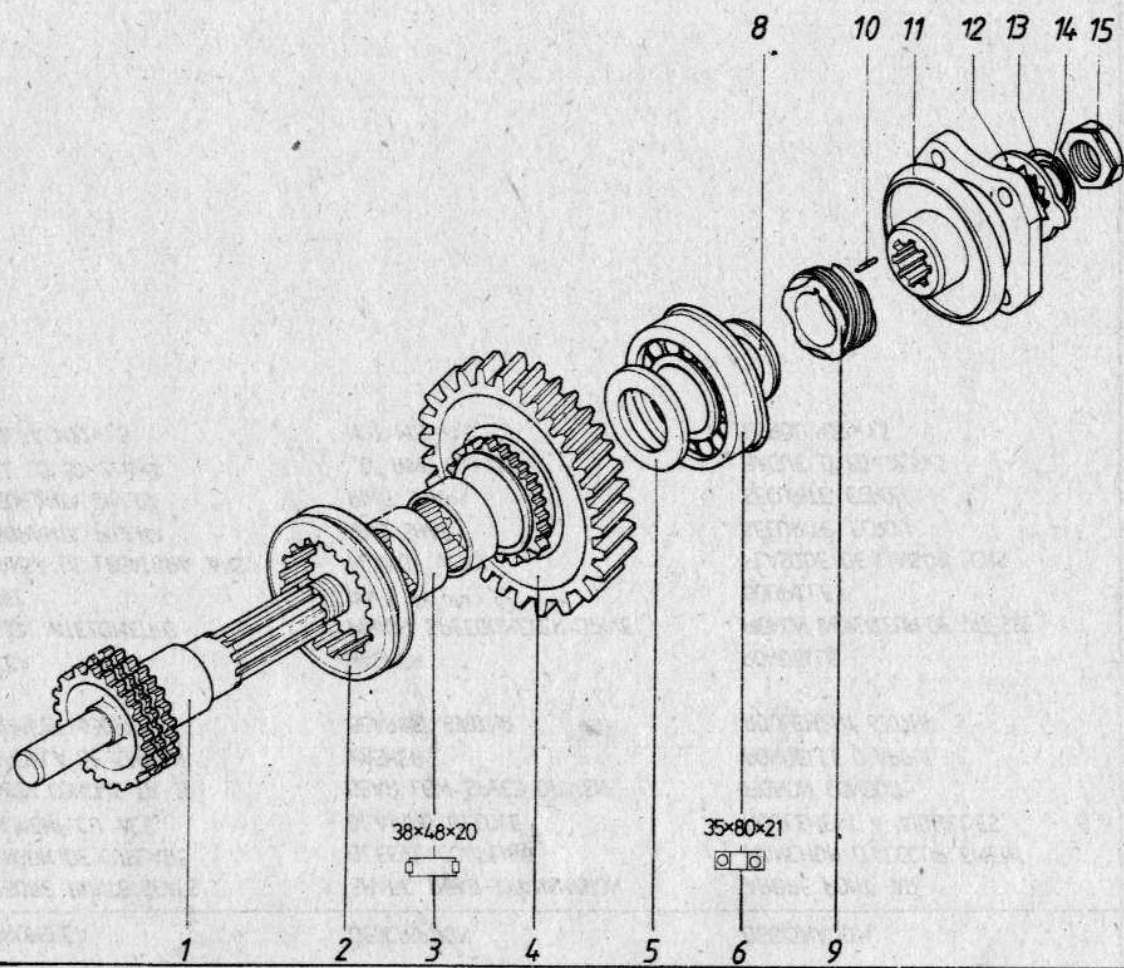
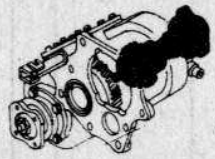
CUTIE TRANSMISIE

TRANSFER BOX

BOÎTE DE TRANSFERT

(A)

| 18-56 | | CUTIE TRANSMISIE | | TRANSFER BOX | BOÎTE DE TRANFERT | Buc. | Pret | Observatii |
|--------------|----------------------------|------------------|-------------------------|--------------------------|-------------------------------|-----------|------------|-------------|
| Poz Fig. No. | Reper Part no. No. de ref. | Cod Code Code | DENUMIRE | DESCRIPTION | DESIGNATION | Q-ty Q-te | Price Prix | Notes Notes |
| 1 | 4612303036 | 4612303036 | SIGURANTA PIULITA | WASHER FIXING | SÉCURITÉ ÉCROU | 1 | | |
| 2 | 4612303023 | 4612303023 | SIGURANTA PIULITA | WASHER FIXING | SÉCURITÉ ÉCROU | 1 | | |
| 3 | 4117041590 | 4117041590 | PIULITA M22x1,5 | NUT M22x1,5 | ECROU M22x1,5 | 1 | | |
| 4 | NUTPN39 | 3980022330 | INEL „O” 80x22,3x3 | „O” RING 80x22,3x3 | BAGUE „O” 80x22,3x3 | 1 | | |
| 5 | 4117041570 | 4117041570 | FLANSA DE LEGATURA ANS | FLANGE ASSY | FLASQUE DE LIAISON ENS. | 1 | | |
| 6 | STAS3041-80 | 6306000074 | RULMENT 6306 ZRNRB P6EL | BEARING 6306 ZRNRB P6EL | ROULEMENT 6306 ZRNRB P6EL | 1 | | |
| 7 | 4117042850 | 4117042850 | DISTANTIER | SPACER | ENTRETOISE | 1 | | |
| 8 | 4117042780 | 4117042780 | SAIBA DE PRESIUNE | BEARING PRESSURE PLATE | RONDELLE PRESSION ROULEMENT | 2 | | |
| 9 | RNA384820 | 3848200700 | RULMENT RADIAL CU ACE | BEARING NEEDLE | ROULEMENT A AIQUILLES | 4 | | |
| 10 | 4117042770 | 4117042770 | BUCSA | BUSH | DOUILLE | 2 | | |
| 11 | 4117041971 | 4117041971 | PINION CONDUS TR I | I STED ENGAGED PINION | PIGNON CONDUIT ÉCHELON I | 1 | | |
| 12 | 4117041352 | 4117041352 | ARBORE PUNTE FATA | SHAFT FRONT TRANSMISSION | ARBRE POINT AV. | 1 | | |
| 13 | 4117041411 | 4117041411 | BUTUC CANELAT | HUB SPLINED | MOYEN CANNÉLÉ | 1 | | |
| 14 | 4117041230 | 4117041230 | MANSON DE CUPLARE | SLEEVE COUPLING | MANCHON D'ACCOUPEMENT | 1 | | |
| 15 | 4117041980 | 4117041980 | PINION CONDUS TR II | II STED ENGAGED PINION | PIGNON CONDUIT ÉCHELON II ÉME | 1 | | |
| 16 | 4117042760 | 4117042760 | DISTANTIER | SPACER | PIÈCE DE DISTANCE | 1 | | |
| 17 | STAS3041-80 | 6306000000 | RULMENT 6306 | BEARING 6306 | ROULEMENT 6306 | 1 | | |
| 18 | 4117040650 | 4117040650 | INEL SPRIJIN RULMENT | SNAP RING | BAGUE D'APPUI ROULEMENT | 1 | | |
| 19 | 0606197500 | 0606197500 | INEL DE OPRIRE | RING RETAINING | BAGUE D'ARRÊT | 1 | | |



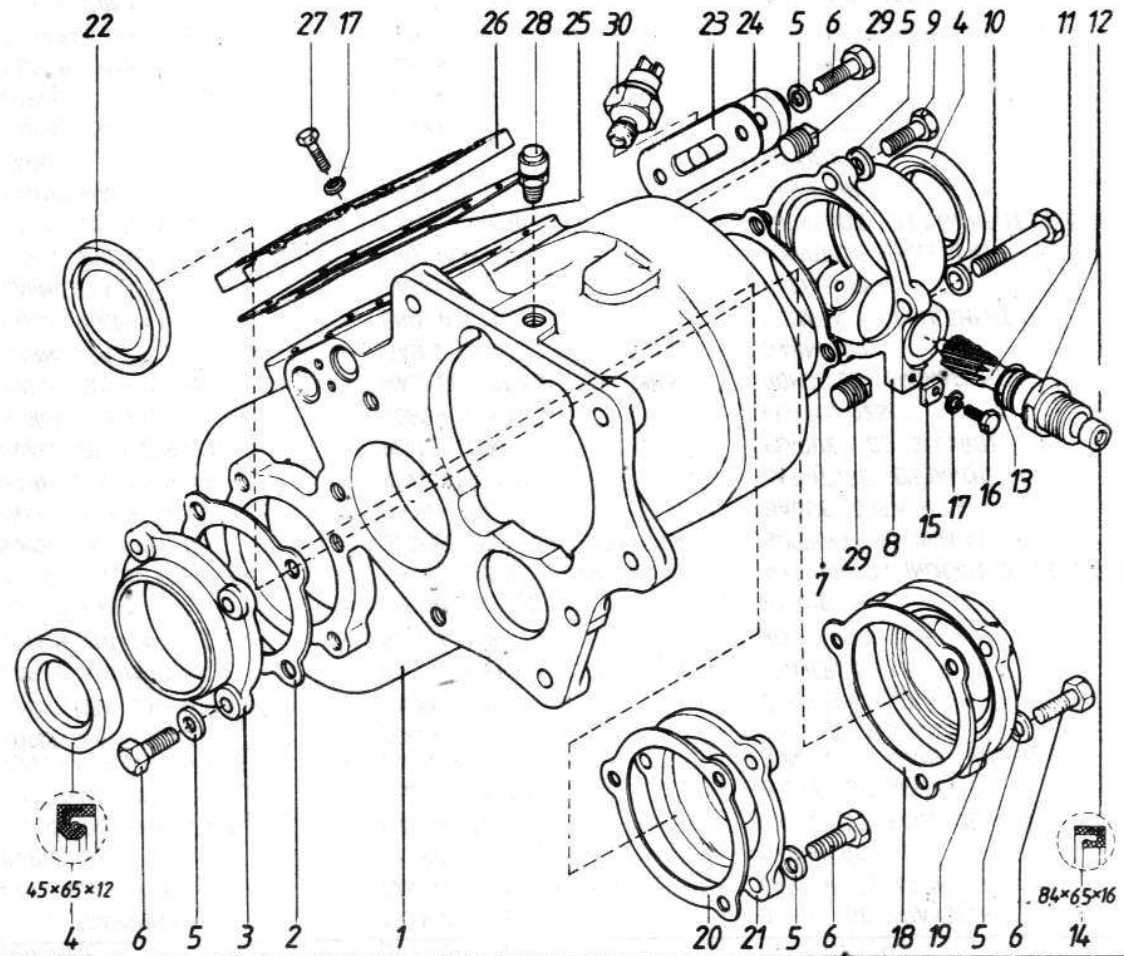
CUTIE TRANSMISIE

TRANSFER BOX

BOITE DE TRANSFERT

18-05

| 18 - 05 | | CITIE TRANSMISIE 16/9 | TRANSFER BOX 16/9 | BOITE DE TRANSFERT 16/9 | Buc. Q-ty Q-ty | Pref. Price Prix | Observati Notes Notes |
|---------------------|---------------------------------|-----------------------|-------------------------|--------------------------|------------------------------|------------------------|-----------------------------|
| Part Fig. No. | Reper Part no. No. de ref | Ced Code Code | DENUMIREA | DESCRIPTION | DESIGNATION | | |
| 1 | 4117041990 | 4117041990 | ARBORE PUNTE SPATE | SHAFT REAR TRANSMISION | ARBRE PONT AR. | 1 | |
| 2 | 4117041230 | 4117041230 | MANSON DE CUPLARE | SLEEVE COUPLING | MANCHON D'ACCOUPLMENT | 1 | |
| 3 | 4900384820 | 4900384820 | RULMENT CU ACE | BEARING NEEDLE | ROULEMENT A AIQUILLES | 1 | |
| 4 | 4117041980 | 4117041980 | PINION CONDUS TR. II | GEAR LOW SPEED DRIVEN | PIGNON CONDUIT | 1 | |
| 5 | 4117041860 | 4117041860 | RONDELA DE SPRIJIN | WASHER | RONDELLE D'APPUI | 1 | |
| 6 | 6307029035 | 6307029035 | RULMENT 6307NR | BEARING 6307NR | ROULEMENT 6307NR | 1 | |
| 7 | | | | | | | |
| 8 | 0061122038 | 0061122038 | SAIBA | WASHER | RONDELLE | 1 | |
| 9 | 4117042680 | 4117042680 | PINION VITEZOMETRU | PINION SPEEDOMETER DRIVE | PIGNON INDICATEUR DE VITESSE | 1 | |
| 10 | 1311701571 | 1311701571 | STIFT | PIN | GOUVILLE | 1 | |
| 11 | 4117041570 | 4117041570 | FLANSA DE LEGATURA ANS. | FLANGE ASSY. | FLASQUE DE LIAISON ENS. | 1 | |
| 12 | 4612303023 | 4612303023 | SIGURANTA PIULITA | RING SNAP | SÉCURITÉ ECROU | 1 | |
| 13 | 4612303036 | 4612303036 | SIGURANTA PIULITA | RING SNAP | SÉCURITÉ ECROU | 1 | |
| 14 | 0010230080 | 0010230080 | INEL „O” 80x22,3x3 | „O” RING 80x22,3x3 | BAGUE „O” 80x22,3x3 | 1 | |
| 15 | 4117041590 | 4117041590 | PIULITA M22x1,5 | NUT M22x1,5 | ECROU M22x1,5 | 1 | |



CUTIE TRANSMISIE

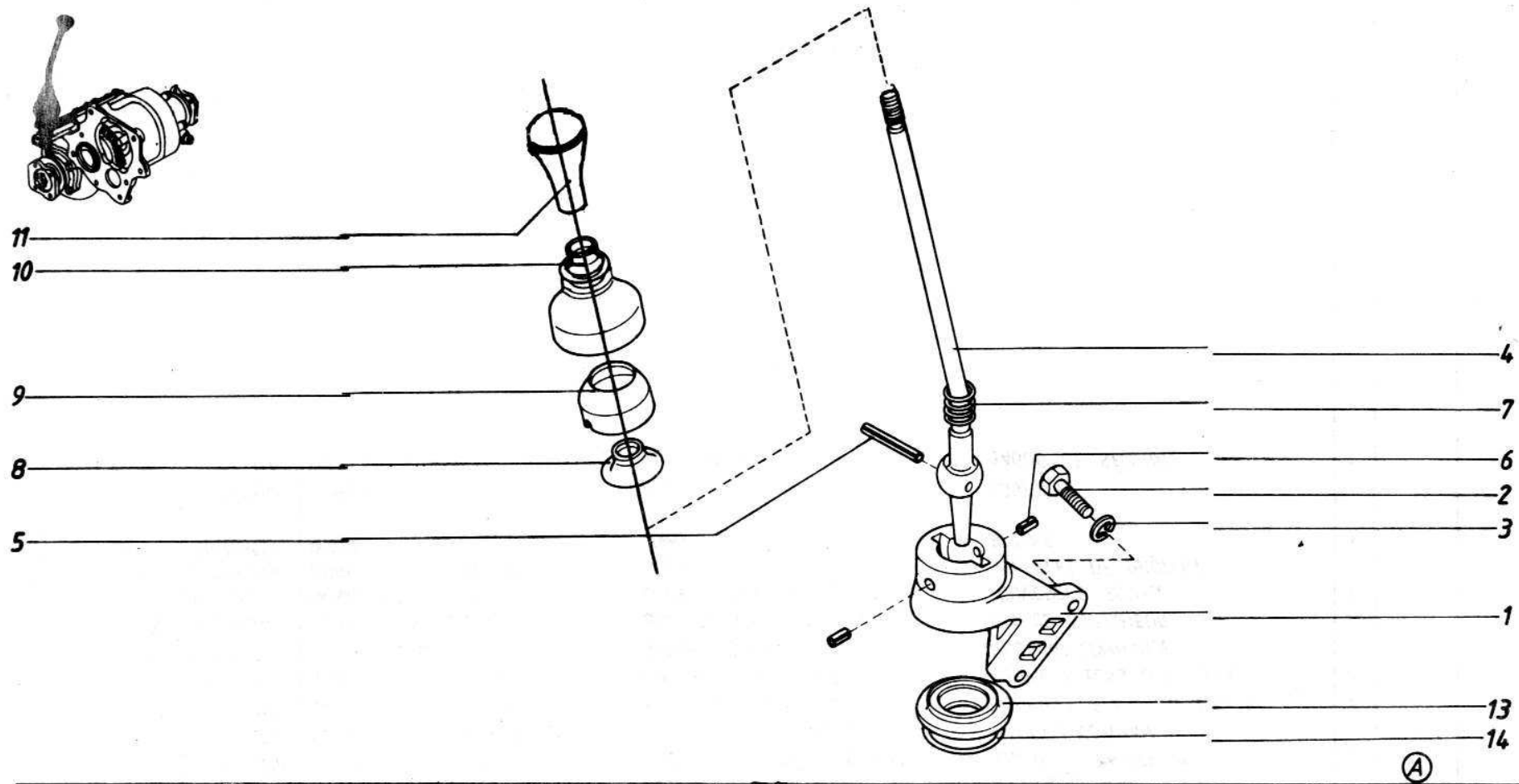
TRANSFER BOX

BOÎTE DE TRANSFERT

18-04

(A)

| 18-04 | | CUTIE TRANSMISIE | | TRANSFER BOX | BOÎTE DE TRANSFERT | Buc | Pret | Observatii |
|-------|------------------|------------------|------------------------------|-------------------------|----------------------------------|------|-------|------------|
| Fig | Reper Pcrt no | Cod Code | DENUMIRE | DESCRIPTION | DESIGNATION | Q-ty | Price | Notes |
| No | No de ref | Code | | | | Q-te | Prix | Notes |
| A | 4117042660 | 4117042660 | CUTIE TRANSMISIE | TRANSFER BOX | BOÎTE DE TRANSFERT | * | | i=16/9 |
| 1 | 4117041212 | 4117041212 | CARTERUL CUTIEI | CASING TRANSFER BOX | CARTER DE LA BOÎTE | 1 | | |
| 2 | 4117041830 | 4117041830 | GARNITURA | GASKET | GARNITURE | 1 | | |
| 3 | 4117041460 | 4117041460 | CAPAC RULMENT FATA | END PLATE | COUVERCLE ROULEMENT AV | 1 | | |
| 4 | 0055064265 | 0055064265 | INEL ETANSARE | SEAL ANNULAR OIL | BAGUE D'ÉTANCHEITÉ | 2 | | |
| 5 | 7903053046 | 7903053046 | RONDELA PLATA N8x16 | WASHER N8x16 | RONDELLE PLANE N8x16 | 16 | | |
| 6 | 7703001162 | 7703001162 | SURUB M8x1,25x25 | SCREW M8x1,25x25 | VIS M8x1,25x25 | 12 | | |
| 7 | 4117041850 | 4117041850 | GARNITURA CAPAC SPATE | GASKET COVER | GARNITURE COUVERCLE AR. | 1 | | |
| 8 | 4117041381 | 4117041381 | CAPAC KILOMETRAJ | COVER SPEEDOMETER DRIVE | COUVERCLE KM | 1 | | |
| 9 | 7703001164 | 7703001164 | SURUB M8x30 | SCREW M8x30 | VIS M8x30 | 3 | | |
| 10 | 7703001552 | 7703001552 | SURUB M8x50 | SCREW M8x50 | VIS M8x50 | 1 | | |
| 11 | 4117042670 | 4117042670 | AX PINION VITEZOMETRU | SHAFT SPEEDOMETER GEAR | AXE PIGNON INDICATEUR DE VITESSE | 1 | | |
| 12 | 4117041480 | 4117041480 | SUPPORT KILOMETRAJ | SLEEVE NUT SPEEDOMETER | SUPPORT KM INDICATEUR | 1 | | |
| 13 | 0022124060 | 0022124060 | INEL Ø 19.6 x 2.4 | O-RING 19.6 x 2.4 | BAGUE Ø19.6 x 2.4 | 1 | | |
| 14 | 7703087017 | 7703087017 | GARNITURA ETANȘARE | RING SEALING | GARNITURE D'ÉTANCHEITÉ | 1 | | |
| 15 | 1203802031 | 1203802031 | PLACA DE SIGURANTA | PLATE LOCK | PLAQUE DE SECURITE | 1 | | |
| 16 | 0206123880 | 0206123880 | SURUB M6x12S | SCREW M6x12S | VIS M6x12S | 1 | | |
| 17 | 6910616160 | 6910616160 | SAIBA GROWER MN6 | WASHER SPRING LOCK MN6 | RONDELLE GROWER MN6 | 1 | | |
| 18 | 4117041320 | 4117041320 | GARNITURA | GASKET | GARNITURE | 1 | | |
| 19 | 4117041330 | 4117041330 | CAPAC RULMENT | END PLATE | COUVERCLE ROULEMENT | 1 | | |
| 20 | 4117041370 | 4117041370 | GARNITURA | GASKET | GARNITURE | 1 | | |
| 21 | 4117041311 | 4117041311 | CAPAC RULMENT SPATE | END PLATE | COUVERCLE ROULEMENT | 1 | | |
| 22 | 4117041340 | 4117041340 | CAPAC DE ETANȘARE | CAP SEALING ASSY | COUVERCLE D'ÉTANCHEITÉ ENS. | 1 | | |
| 23 | 4117041770 | 4117041770 | GARNITURA | GASKET | GARNITURE | 1 | | |
| 24 | 4117041871 | 4117041871 | CAPAC | COVER | COUVERCLE | 1 | | |
| 25 | 4117041730 | 4117041730 | GARNITURA | GASKET | GARNITURE | 1 | | |
| 26 | 4117041550 | 4117041550 | CAPAC | COVER | COUVERCLE | 1 | | |
| 27 | 7703001024 | 7703001024 | SURUB M6x20 | SCREW M6x20 | VIS M6x20 | 6 | | |
| 28 | 6000536039 | 6000536039 | SUPAPA AERISIRE ANS. | VENT | SOUPAPE D'AÉRATION ENS. | 1 | | |
| 29 | 0702980300 | 0702980300 | BUȘON CONIC | PLUG CONICAL | BOUCHON CONIQUE | 2 | | |
| 30 | NIR 350 | 0006435350 | INTERRUPTOR LAMPI SPATE 6435 | REAR LAMPS' SWITCH 6435 | INTERRUPTEUR LAMPES ARRIERE 6435 | 1 | | |



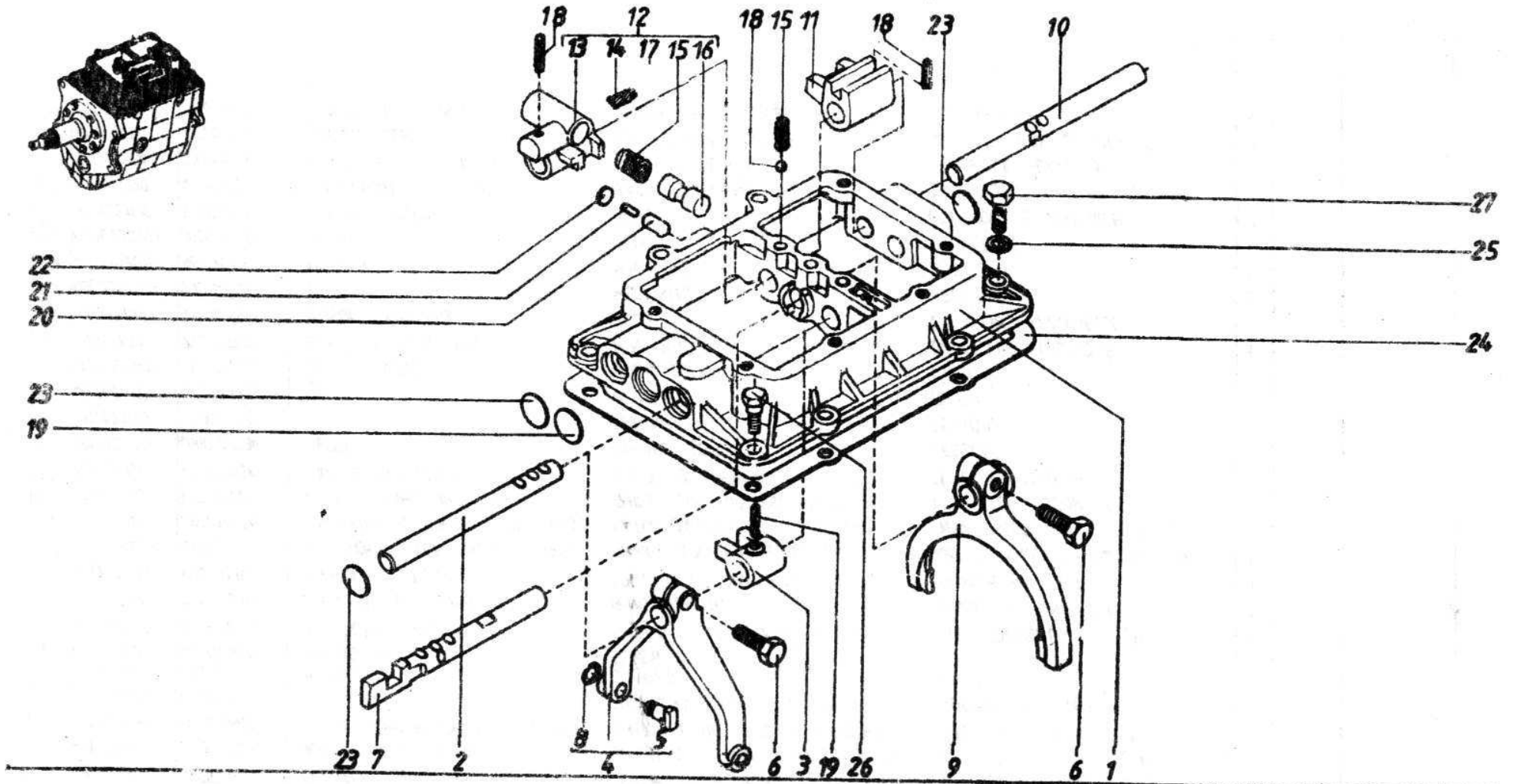
CUTIE TRANSMISIE

TRANSFER BOX

BOÎTE DE TRANSFERT

18-65

| 18-65 | | CUTIE TRANSMISIE | TRANSFER BOX | BOÎTE DE TRANSFERT | Buc. Q.ty | Preț Price Prix | Observatii Notes Notes |
|--------------------|---------------------------------|---------------------|---------------------------|-------------------------|-------------------------------|-----------------------|------------------------------|
| Poz Fig. No. | Reper Part no. No de ref. | Cod Code Code | DENUMIRE | DESCRIPTION | DESIGNATION | | |
| 1 | 4117041010 | 4117041010 | SUPORT COMANDA TRANSMISIE | SUPPORT | SUPPORT COMMANDE TRANSMISSION | 1 | |
| 2 | 7703001185 | 7703001185 | SURUB M10 x1,5 x 30 | BOLT M10 x1,5 x30 | VIS M10 x1,5 x30 | 2 | |
| 3 | 6911025250 | 6911025250 | SAIBA GROWER MN 10 | WASHER SPRING LOCK MN10 | RONDELLE GROWER MN10 | 2 | |
| 4 | 4117041170 | 4117041170 | MANETA COMANDA ANS | LEVER CONTROL ASSY | MANETTE COMMANDE ENS. | 1 | |
| 5 | 0854357100 | 0854357100 | STIFT ELASTIC E8 x45 | PIN HOLLOW E8 x45 | GOUPILLE ELASTIQUE E8 x45 | 1 | |
| 6 | 0854375609 | 0854375609 | STIFT ELASTIC E6 x10 | PIN HOLLOW E6 x10 | GOUPILLE ELASTIQUE E6 x10 | 2 | |
| 7 | 0605890500 | 0605890500 | ARC COMANDA | SPRING CONTROL | RESSORT COMMANDE | 1 | |
| 8 | 0605698900 | 0605698900 | ROTULA SUPERIOARA | BALL GEAR SHIFT LEVER | ROTULE SUPERIEURE | 1 | |
| 9 | 0607256700 | 0607256700 | CAPAC ROTULA | COVER LEVIER BALL | COUVERCLE ROTULE | 1 | |
| 10 | 0607464900 | 0607464900 | BURDUF DE PROTECTIE | BOOT | SOUFFLET DE PROTECTION | 1 | |
| 11 | 1001703060 | 1001703060 | ROTULA | JOINT | ROTULE | 1 | |
| 12 | | | | | | | |
| 13 | 4117041020 | 4117041020 | BURDUF | BOOT | SOUFFLET | 1 | |
| 14 | 4117041160 | 4117041160 | INEL SIGURANTA | RING RETAINING | BAGUE DE SÉCURITÉ | 1 | |



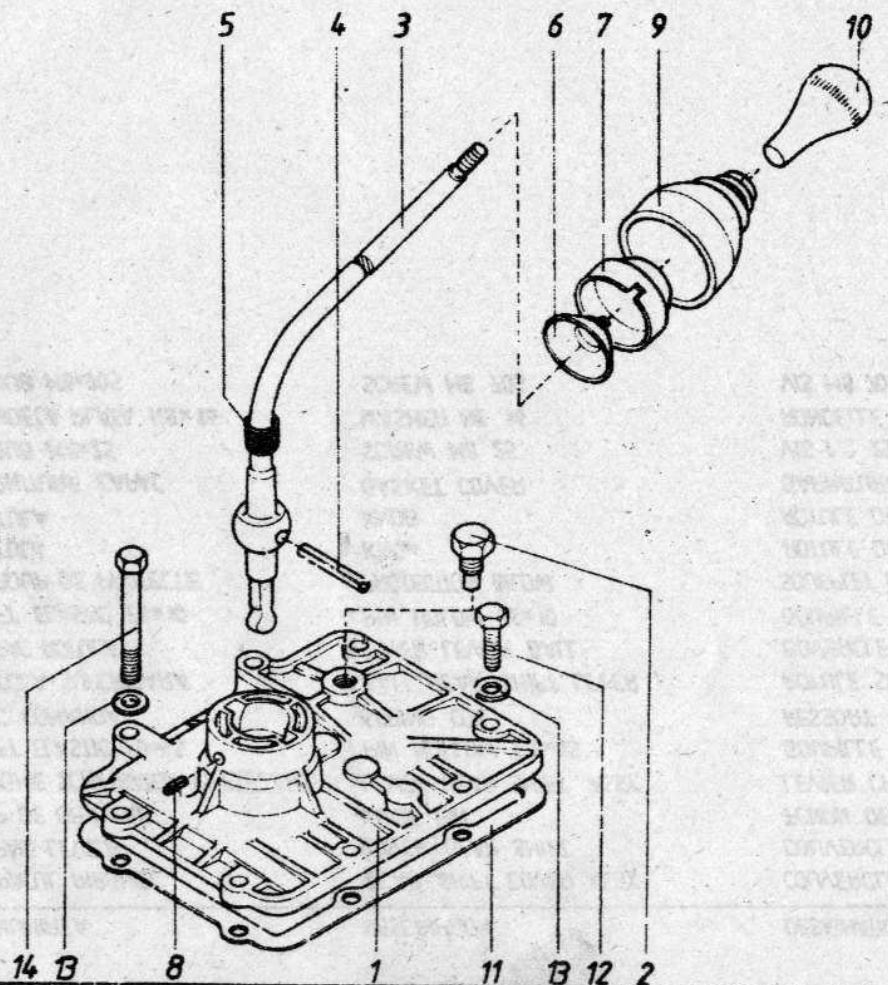
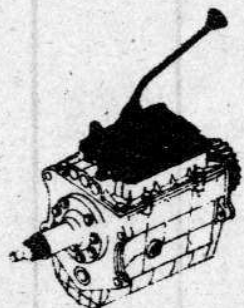
CAPACUL FURCILOR

COVER GEAR BOX ASSY

COUVERCLE DE FOURCHES

17-90

| T7-90 | | CAPACUL FURCILOR | | COVER GEAR BOX ASSY | COUVERCLE DES FOURCHES | Buc | Pret | Observatii |
|---------------|-----------------------------|------------------|-------------------------------|-------------------------------|-------------------------------|------|-------|-------------------|
| Poz. Fig. No. | Reper Part. no. No. de ref. | Cod Code Code | DENUMIRE | DESCRIPTION | DESIGNATION | Q-ty | Price | Notes |
| | | | | | | Q-te | Prix | Notes |
| 1 | 4117020590 | 4117020590 | CAPACUL FURCILOR ANS. | COVER GEAR BOX ASSY | COUVERCLE DES FOURCHES ENS. | * | | Excl. 24,25,26,27 |
| 1 | 4117020410 | 4117020410 | CAPACUL FURCILOR | COVER GEAR BOX | COUVERCLE DES FOURCHES | 1 | | |
| 2 | 4117020420 | 4117020420 | AX FURCA VIT. III; IV | SHAFT 3RD. AND 4TH. SELECTOR | AXE FOURCHE VIT. III; IV | 1 | | |
| 3 | 4117020430 | 4117020430 | CAPAC SCHIMBATOR VIT. III; IV | SHIFT LUNG 3RD. AND 4TH. BAND | TÊTE ÉCHANGEUR VIT III; IV | 1 | | |
| 4 | 4117020580 | 4117020580 | FURCA VIT. III; IV | FORKS 3RD AND 4 TH. SHIFT | FOURCHE VIT. III; IV | 1 | | |
| 5 | 4117020570 | 4117020570 | PATINA | SLIPPER | PATINE | 2 | | |
| 6 | 4117020621 | 4117020621 | SURUB M8 | SCREW M8 | VIS M8 | 2 | | |
| 7 | 4117020450 | 4117020450 | AX FURCA VIT. I; II | SHAFT 1ST. AND 2ND. SELECTOR | AXE FOURCHE VIT. I; II | 1 | | |
| 8 | 2111106204 | 2111106204 | INEL DE ETANŞARE | RING, SEALING | BAGUE D'ÉTANCHEITÉ | 2 | | |
| 9 | 4117021240 | 4117021240 | FURCA VIT. I; II | FORKS 1ST. AND 2ND. SHIFT | FOURCHE VIT. I; II | 1 | | |
| 10 | 4117020470 | 4117020470 | AX SCHIMBATOR MERS INAPOI | SHAFT REVERSE SELECTOR | AXE ÉCHANGEUR MARCHE AR | 1 | | |
| 11 | 4117020480 | 4117020480 | ANTRENORUL PIRGHIEI OSCILANTE | CATCH REVERSE SHIFT LEVER | ENTRAÎNEUR DU LEVIER OSCILANT | 1 | | |
| 12 | 4117021140 | 4117021140 | CAP SCHIMBATOR ANS. | SHIFT LUG REVERSE ASSY | TÊTE ÉCHANGEUR ENS. | 1 | | |
| 13 | 4117021120 | 4117021120 | CAP SCHIMBATOR | SHIFT LUG REVERSE | TÊTE ÉCHANGEUR | 1 | | |
| 14 | 0000007234 | 0000007234 | RESSORT | SPRING COIL | RESSORT | 4 | | |
| 15 | 4117021100 | 4117021100 | ARC | SPRING | RESSORT | 1 | | |
| 16 | 4117021110 | 4117021110 | CEP | PLUG | TENON | 1 | | |
| 17 | 1170952540 | 1170952540 | BILA IV 9,525 | BALL, LOCK | BILLE | 4 | | |
| 18 | 7903067011 | 7903067011 | STIFT ELASTIC E 5 x 25 | PIN HOLLOW | GOUPILLE ÉLASTIQUE | 3 | | |
| 19 | 4117021180 | 4117021180 | BUŞON EXPANSIBIL | PLUG | BOUCHON EXPANSIBILE | 1 | | |
| 20 | 0000007233 | 0000007233 | OPRITOR | RETAINING | ARRÊTOIR | 2 | | |
| 21 | 4611702016 | 4611702016 | PIEDICA | PIN LOCK | BUTÉE | 1 | | |
| 22 | 0000260303 | 0000260303 | LAPAC | PLUG | COUVERCLE | 1 | | |
| 23 | 4117021170 | 4117021170 | BUŞON EXPANSIBIL | PLUG | BOUCHON EXPANSIBILE | 3 | | |
| 24 | 4117011370 | 4117011370 | GARNITURA CARTER | GASKET CASING | GARNITURE CARTER | 1 | | |
| 25 | 7903053043 | 7903053043 | RONDELA PLATA M8 x 16 | WASHER M8 x 16 | RONDELLE PLANE M8 x 16 | 5 | | |
| 26 | 411700012 | 411700012 | SURUB CENTRARE CAPAC M8 | BOLT COVER CENTER | VIS CENTRAL COUVERCLE | 2 | | |
| 27 | 7703001162 | 7703001162 | SURUB M8 x 1,25 x 25 | SCREW M8 x 1,25 x 25 | VIS M8 x 1,25 x 25 | 5 | | |



CAPACUL PIRGHIEI

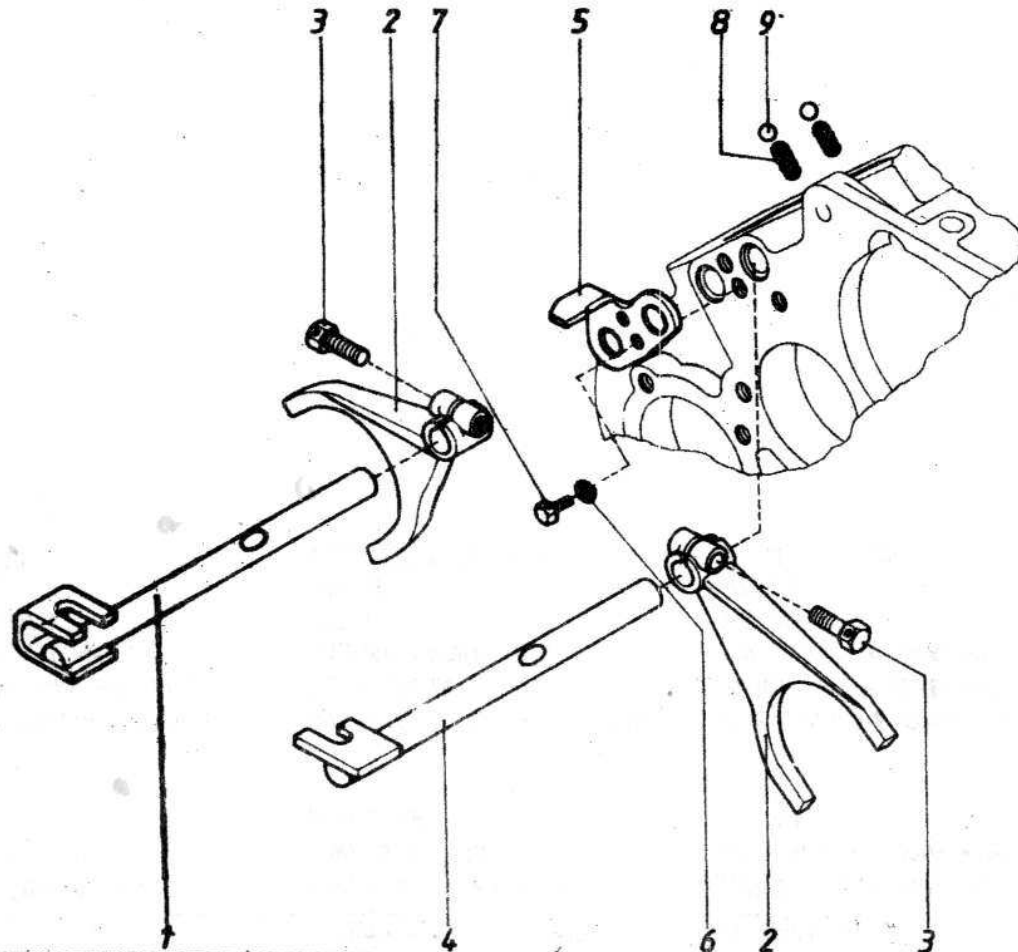
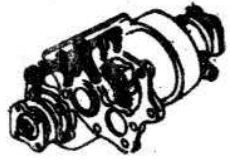
GEAR SHIFT COVER

COUVERCLE DE LEVIER

17-96

| 17-96 | | CAPACUL PIRGHIEI | | GEAR SHIFT COVER | COUVERCLE DE LEVIER | | | |
|--------------------|----------------------------------|---------------------|---------------------------------|------------------------|------------------------------|----------------------|-----------------------|------------------------------|
| Poz Fig. No. | Reper Part no. No. de ref. | Cod Code Code | DENUMIREA | DESCRIPTION | DESIGNATION | Buc. Q-ty Q-ty | Pret Price Prix | Observatii Notes Notes |
| 1 | 4117030600 | 4117030600 | CAPACUL PIRGHIEI | GEAR SHIFT COVER ASSY. | COUVERCLE DE LEVIER ENS. | X | | Excl 11-14 |
| 1 | 4117030540 | 4117030540 | CAPAC LEVIER | COVER GEAR SHIFT | COUVERCLE DU LEVIER | 1 | | |
| 2 | 4117030550 | 4117030550 | CEP DE GHIDARE | GUIDE PIN | TENON DE GUIDAGE | 1 | | |
| 3 | 4117030651 | 4117030651 | PIRGHIE SCHIMBATOR VITEZE. ANS. | LEVER GEAR SHIFT ASSY. | LEVIER CHANGEMENT DE VITESSE | 1 | | |
| 4 | 0854357100 | 0854357100 | STIFT ELASTIC E8x45 | PIN HOLLOW E8x45 | GOUPILLE ÉLASTIQUE E8x45 | 1 | | |
| 5 | 0605890500 | 0605890500 | ARC COMANDA | SPRING COIL | RESSORT COMMANDE | 1 | | |
| 6 | 0605698900 | 0605698900 | ROTULA SUPERIOARA | BALL GEAR SHIFT LEVER | ROTULE SUPÉRIEURE | 1 | | |
| 7 | 0607256700 | 0607256700 | CAPAC ROTULA | COVER LEVIER BALL | COVERCLE ROTULE | 1 | | |
| 8 | 0854375600 | 0854375600 | STIFT ELASTIC E6x10 | PIN HOLLOW E6x10 | GOUPILLE ELASTIQUE | 2 | | |
| 9 | 0607464900 | 0607464900 | BURDUF DE PROTECTIE | PROTECTION BILOW | SOUFFLET DE PROTECTION | 1 | | |
| 10 | 1001703060 | 1001703060 | ROTULA | KNOW | ROTULE DU LEVIER | 1 | | |
| | 75453443 | 75453443 | ROTULA | KNOB | ROTULE DU LEVIER | 1 | | |
| 11 | 4117030620 | 4117030620 | GARNITURA CAPAC | GASKET COVER | GARNITURE COUVERCLE | 1 | | |
| 12 | 7783001055 | 7783001055 | SURUB M8x25 | SCREW M8 25 | VIS M8 25 | 6 | | |
| 13 | 7903053043 | 7903053043 | RONDELA PLATA N8x16 | WASHER N8 16 | RONDELLE N8 16 | 8 | | |
| 14 | 411701650 | 411701650 | SURUB M8x70S | SCREW M8 70S | VIS M8 70S | 2 | | |

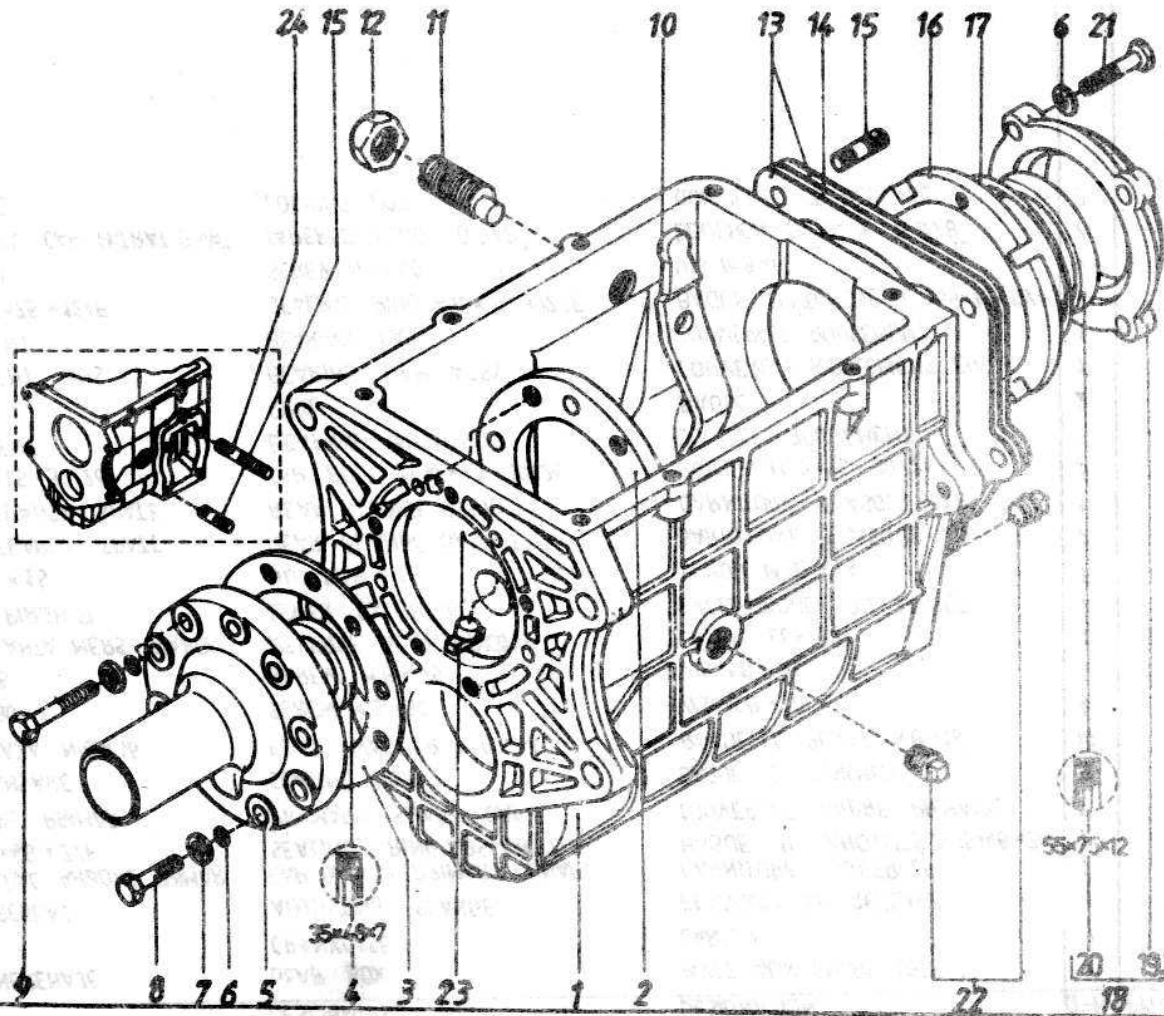
| 18-60 | | CUTIA TRANSMISIE | | TRANSFER BOX | BOÎTE DE TRANSFERT | | | |
|--------------------|---------------------------------|---------------------|---------------------------|---------------------------|-----------------------------|------|-------|-----------------|
| Poz Fig. No. | Reper Part no. No de ref. | Cod Code Code | DENUMIRE | DESCRIPTION | DESIGNATION | Q-ty | Price | Observ Notes |
| 1 | 4117041050 | 4117041050 | AX FURCA PUNTE FATA ANS. | SHAFT FRONT AXLE SELECTOR | AXE FOURCHE PONT AV. ENS. | 1 | | |
| 2 | 4117041490 | 4117041490 | FURCA DE CUPLARE | FORK SELECTOR | FOURCHE D'ACCOUPLMENT | 2 | | |
| 3 | 4117020621 | 4117020621 | SURUB M8 | SCREW M8 | VIS M8 | 2 | | |
| 4 | 4117041080 | 4117041080 | AX FURCA PUNTE SPATE ANS. | SHAFT REAR AXLE SELECTOR | AXE FOURCHE PONT AR. ENS. | 1 | | |
| 5 | 4117041030 | 4117041030 | PLACA ETANSARE-GHIDARE | PLATE GUIDE | PLAQUE D'ÉTANCHEITÉ-GUIDAGE | 1 | | |
| 6 | 6910616160 | 6910616160 | SAIBA GROWER MN6 | WASHER SPRING LOCK MN6 | RONDELLE GROWER MN6 | 2 | | |
| 7 | 0206123880 | 0206123880 | SURUB M6x12S | SCREW | VIS M6x12S | 2 | | |
| 8 | 0000007234 | 0000007234 | RESORT | SPRING | RESSORT | 2 | | |
| 9 | 1170952540 | 1170952540 | BILA IV 9,525 | BALL LOCK IV 9,525 | BILLE IV 9,525 | 2 | | |



CUTIA TRANSMISIE

TRANSFER BOX

BOITE DE TRANSFERT



CUTIE CU ANGRENAJE

GEAR BOX

BOITE AUX ENGRENAGES

17-50

| 17- 50 | | CUTIE CU ANGRENAJE | | GEAR BOX | BOÎTE AUX ENGRENAGES | | | |
|---------------|-------------------------|--------------------|---------------------------------|---------------------------|--------------------------------|----------------|-----------------|------------------------|
| Poz. Fig. No. | Reper Part no No de ref | Cod Code Code | DENUMIRE | DESCRIPTION | DESIGNATION | Buc. Q-ty Q-fe | Pret Price Prix | Observatii Notes Notes |
| A | 4117012511 | 4117012511 | CUTIE CU ANGRENAJE | GEAR BOX | BOITE AUX ENGRENAGES | x | | Excl. B; 14. |
| 1 | 4117011200 | 4117011200 | CARTER | CRANKCASE | CARTER | 1 | | |
| 2 | 4117010280 | 4117010280 | FLANȘA DE REGLAJ | ADJUSTING FLANGE | FLASQUE DE REGLAGE | 1 | | |
| 3 | 4117010260 | 4117010260 | GARNITURA CAPAC ARBORE PRIMAR | CAP GASKET PRIMARY SHAFT | GARNITURE COUVERCLE | 1 | | |
| 4 | STAS7950/1-81 | 20535480711 | MANSETA A35*48 *7/F | SEALING RING A35*48 *7/F | BAGUE D'ÉTANCHEITÉ A35*48 *7/F | 1 | | |
| 5 | 4117010270 | 4117010270 | CAPAC ARBORE PRIMAR | PRIMARY SHAFT CAP | COUVERCLE ARBRE PRIMAIRE | 1 | | |
| 6 | 2111106204 | 2111106204 | INEL DE ETANȘARE | SEALING RING | BAGUE D'ÉTANCHEITÉ | 8 | | |
| 7 | 7903053043 | 7903053043 | RONDELA PLATA N8*16 | FLAT WASHER N8*16 | RONDELLE PLATE N8*16 | 10 | | |
| 8 | 7703001164 | 7703001164 | SURUB M8*30 | SCREW M8*30 | VIS M8*30 | 4 | | |
| 9 | 7703001347 | 7703001347 | SURUB M8*45 | SCREW M8*45 | VIS M8*45 | 4 | | |
| 10 | 4117010100 | 4117010100 | PIRGHIE OSCILANTA MERS INAPOI | REVERSE GEAR SWINGING | LEVER LEXIER | 1 | | |
| 11 | 4117010110 | 4117010110 | EXCENTRICUL PIRGHIEI | LEWER EXCENTRIC | EXCENTRIQUE DU LEVIER | 1 | | |
| 12 | STAS4373-80 | 7318080009 | PIULIȚĂ M18*1,5 | NUT, M18*1,5 | ECROU M18*1,5 | 1 | | |
| 13 | 4117042460 | 4117042460 | GARNITURA FLANȘA SPATE | REAR FLANGE GASKET | GARNITURE FLASQUE AR. | 2 | | |
| 14 | 4117041193 | 4117041193 | GARNITURA FLANȘA SPATE | REAR FLANGE GASKET | GARNITURE FLASQUE AR | 1 | | |
| 15 | 20517011702 | 20517011702 | PRĂZON M10*1,5-30/26 | TAP BOLT M10*1,5-30/26 | GOUJON M10*1,5-30/26 | 5 | | |
| 16 | 4117010380 | 4117010380 | BUȚSA RULMENT | BEARING BUSHING | DOUILLE ROULEMENT | 1 | | |
| 17 | 0607163900 | 0607163900 | INEL | RING | BAGUE | 2 | | |
| 18 | 4117013250 | 4117013250 | CAPAC RULMENT ANS. | BEARING CAP ASSY | COUVERCLE ROULEMENT ENS. | 1 | | |
| 19 | 4117010331 | 4117010331 | CAPAC RULMENT | BEARING CAP | COUVERCLE ROULEMENT | 1 | | |
| 20 | STAS7950/1-81 | 20555751211 | MANSETA A55*75 *12/F | SEALING RING A55*75 *12/F | BAGUE D'ÉTANCHEITÉ A55*75*12/F | 1 | | |
| 21 | 7703001059 | 7703001059 | SURUB M8*40 | SCREW M8*40 | VIS M8*40 | 4 | | |
| 22 | 0702980300 | 0702980300 | BUSON CONIC CU CAP PATRAT G3/8" | TAPERED PLUG G3/8" | BOUCHON CONIQUE G3/8" | 2 | | |
| 23 | 6000038180 | 6000038180 | STIFT BLOCARE | LOCKING ROD | GOUPILLE DE BLOCAGE | 2 | | |